



DEPARTMENT OF REGULATORY AND ECONOMIC RESOURCES (RER)  
 BOARD AND CODE ADMINISTRATION DIVISION  
**NOTICE OF ACCEPTANCE (NOA)**

MIAMI-DADE COUNTY, FLORIDA  
 PRODUCT CONTROL SECTION  
 11805 SW 26 Street, Room 208  
 T (786) 315-2590 F (786) 315-2599  
[www.miamidade.gov/economy](http://www.miamidade.gov/economy)

**Hamilton Safe Company**  
**3143 Production Drive**  
**Fairfield, OH 45014**

**SCOPE:**

This NOA is being issued under the applicable rules and regulations governing the use of construction materials. The documentation submitted has been reviewed and accepted by Miami-Dade County RER-Product Control Section to be used in Miami-Dade County and other areas where allowed by the Authority Having Jurisdiction (AHJ).

This NOA shall not be valid after the expiration date stated below. The Miami-Dade County Product Control Section (In Miami-Dade County) and/or the AHJ (in areas other than Miami-Dade County) reserve the right to have this product or material tested for quality assurance purposes. If this product or material fails to perform in the accepted manner, the manufacturer will incur the expense of such testing and the AHJ may immediately revoke, modify, or suspend the use of such product or material within their jurisdiction. RER reserves the right to revoke this acceptance, if it is determined by Miami-Dade County Product Control Section that this product or material fails to meet the requirements of the applicable building code. This product is approved as described herein, and has been designed to comply with the Florida Building Code, including the High Velocity Hurricane Zone.

**DESCRIPTION: Series "UL 752 Bullet Resistant Drive-Up" Stainless Steel Fixed Window - L.M.I.**

**APPROVAL DOCUMENT:** Drawing No. **W05-47**, titled "Bullet Resistant Drive-Up Steel Fixed Wdw. (L.M.I.)", sheets 1 through 4 of 4, dated 09/16/05, with revision "**B**" dated 06/08/12, prepared by Al-Farooq Corporation, signed and sealed by Javad Ahmad, P.E., bearing the Miami-Dade County Product Control Section revision stamp with the Notice of Acceptance number and expiration date by the Miami-Dade County Product Control Section.

**MISSILE IMPACT RATING: Large and Small Missile Impact Resistant**

- LIMITATION:**
1. The minimum Stainless Steel Alloy SS 304 (36 Ksi) per test reports;
  2. The steel strength of the frame sill shall be minimum 14 Gage (0.082-inch);
  3. The steel strength of the mullion shall be minimum 11 Gage (0.125-inch);

**LABELING:** Each unit shall bear a permanent label with the manufacturer's name or logo, city, state, model/series, and following statement: "Miami-Dade County Product Control Approved", unless otherwise noted herein.

**RENEWAL** of this NOA shall be considered after a renewal application has been filed and there has been no change in the applicable building code negatively affecting the performance of this product.

**TERMINATION** of this NOA will occur after the expiration date or if there has been a revision or change in the materials, use, and/or manufacture of the product or process. Misuse of this NOA as an endorsement of any product, for sales, advertising or any other purposes shall automatically terminate this NOA. Failure to comply with any section of this NOA shall be cause for termination and removal of NOA.

**ADVERTISEMENT:** The NOA number preceded by the words Miami-Dade County, Florida, and followed by the expiration date may be displayed in advertising literature. If any portion of the NOA is displayed, then it shall be done in its entirety.

**INSPECTION:** A copy of this entire NOA shall be provided to the user by the manufacturer or its distributors and shall be available for inspection at the job site at the request of the Building Official.

This NOA revises NOA No. 11-0107.11 and consists of this page 1 and evidence pages E-1 and E-2, as well as approval document mentioned above.

The submitted documentation was reviewed by **Manuel Perez, P. E.**



*MP*  
 11/29/12

NOA No. 12-0612.23  
 Expiration Date: April 06, 2016  
 Approval Date: December 6, 2012  
 Page 1

**Hamilton Safe Company**

**NOTICE OF ACCEPTANCE: EVIDENCE SUBMITTED**

**A. DRAWINGS**

1. Manufacturer's die drawings and sections.
2. Drawing No. **W05-47**, titled "Bullet Resistant Drive-Up Steel Fixed Wdw. (L.M.I.)", sheets 1 through 4 of 4, dated 09/16/05, with revision "**B**" dated 06/08/12, prepared by Al-Farooq Corporation, signed and sealed by Javad Ahmad, P.E.

**B. TESTS**

1. Test reports on:
  - 1) Air Infiltration Test, per FBC, TAS 202-94
  - 2) Uniform Static Air Pressure Test, Loading per FBC, TAS 202-94
  - 3) Water Resistance Test, per FBC, TAS 202-94
  - 4) Large Missile Impact Test per FBC, TAS 201-94
  - 5) Cyclic Wind Pressure Loading per FBC, TAS 203-94
  - 6) Forced Entry Test, per FBC 2411 3.2.1, TAS 202-94

along with marked-up drawings and installation diagram of a Bullet Resistant Drive-Up Steel Fixed Window (L.M.I.), prepared by Fenestration Testing Laboratory, Inc., Test Report No. **FTL-4690**, dated 08/18/05, signed and sealed by Edmundo J. Largaespada, P.E.

*(Submitted under NOA No. 05-1122.12)*

**C. CALCULATIONS**

1. Anchor verification calculations and structural analysis, complying with FBC-2007, prepared by Al-Farooq Corporation, dated 10/17/05 and updated to FBC-2010 on 12/17/10, signed and sealed by Javad Ahmad, P.E.  
*(Submitted under previous NOA No. 11-0107.11)*
2. **Glazing complies with ASTM E 1300-04**

**D. QUALITY ASSURANCE**

1. Miami-Dade Department of Regulatory and Economic Resources (RER).

**E. MATERIAL CERTIFICATIONS**

1. Test Report No. **BP5734**, volume 1 and section 4, prepared by Underwriting Laboratories, Inc., dated 11/21/88, revised and dated 11/01/93, issued to Hamilton Safe Company, for their "**Bullet Resisting Devices, Miscellaneous Window Frame, Ballistic Level 1**" per **ANSI/ UL 752-2006** "UL Standard for Safety for Bullet-Resisting Equipment Eleventh Edition", dated 11/28/12, listed and approved by UL Standard for Safety/ American National Standard.  
*(Submitted under NOA No. 05-1122.12)*

  
Manuel Perez, P. E.  
Product Control Examiner  
NOA No. 12-0612.23

Expiration Date: April 06, 2016  
Approval Date: December 6, 2012

**Hamilton Safe Company**

**NOTICE OF ACCEPTANCE: EVIDENCE SUBMITTED**

**E. MATERIAL CERTIFICATIONS (CONTINUED)**

2. Notice of Acceptance No. **11-0624.01** issued to **E.I. DuPont DeNemours & Co., Inc.** for their **"DuPont Butacite® PVB Interlayer"** dated 09/08/11, expiring on 12/11/16.

**F. STATEMENTS**

1. Statement letter of no financial interest, conformance and complying with **FBC-2010**, issued by Al-Farooq Corporation, dated 06/07/12, signed and sealed by Javad Ahmad, P.E.
2. Addendum letter for Test Report No. **FTL-4690**, issued by Fenestration Testing Laboratory, Inc., dated 06/04/12, signed by Manny Sanchez.
3. Laboratory compliance letters for Test Report No. **FTL-4690**, issued by Fenestration Testing Laboratory, Inc., dated 08/18/05, signed and sealed by Edmundo J. Largaespada, P.E.  
*(Submitted under NOA No. 05-1122.12)*
4. Proposal issued by Product Control, dated 03/24/05, signed by Jaime D. Gascon, P.E.  
*(Submitted under NOA No. 05-1122.12)*

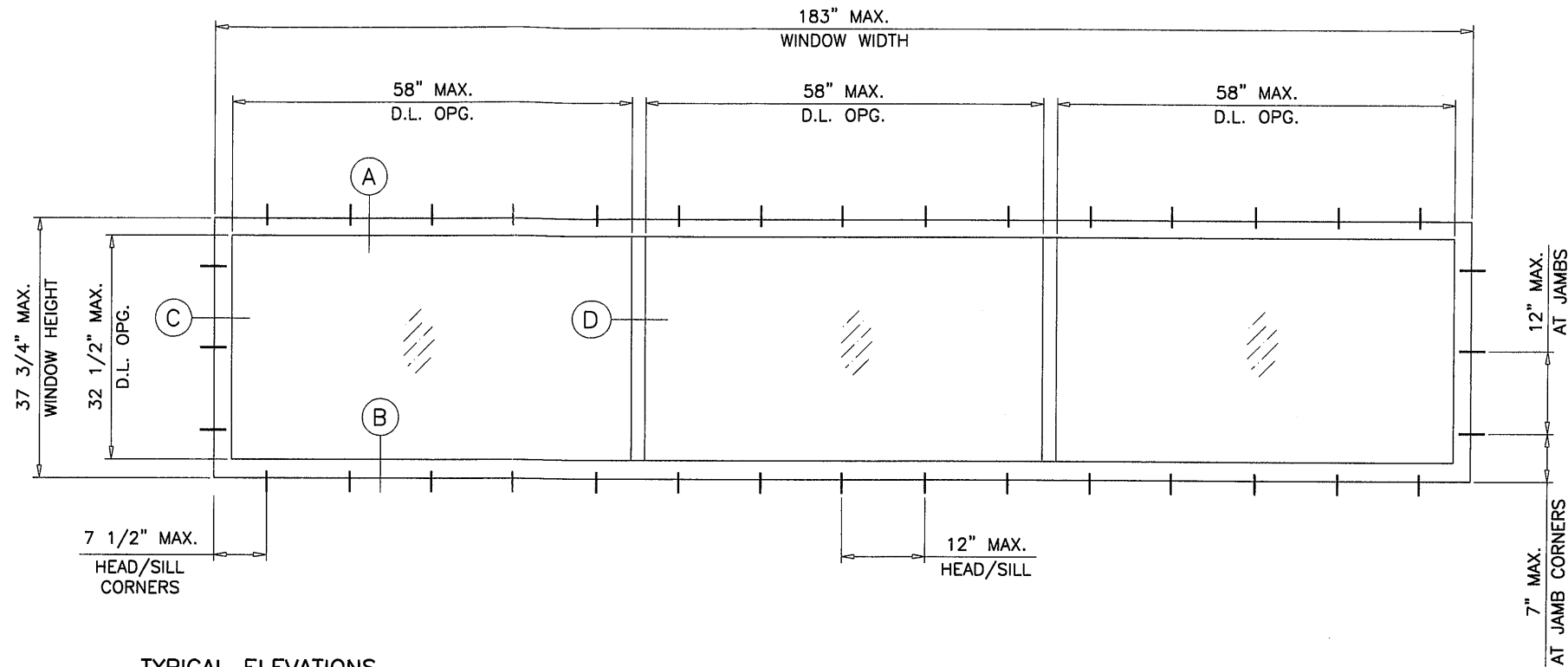
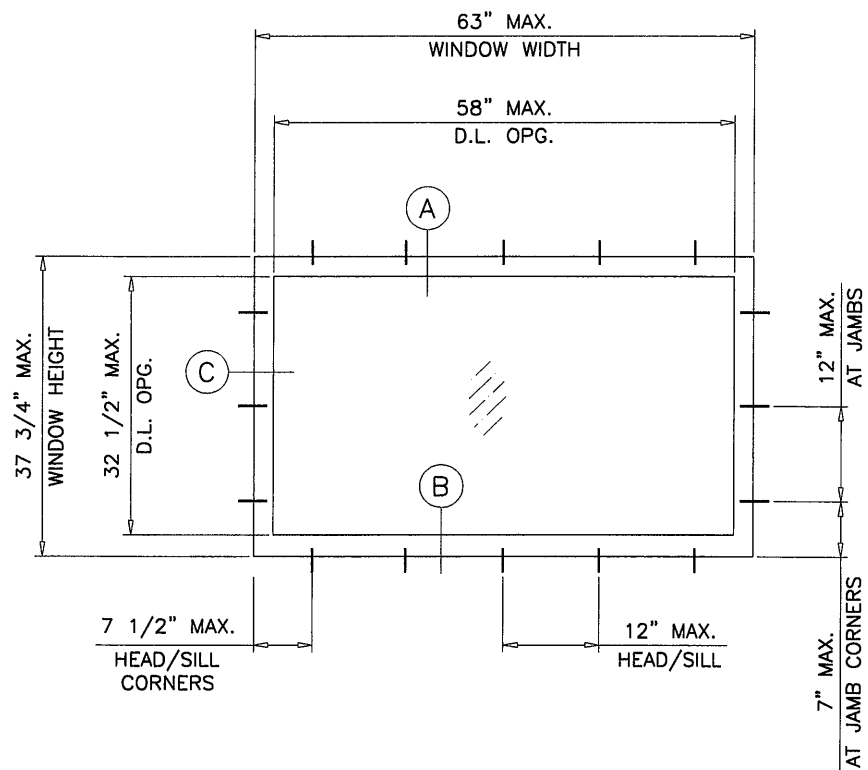
**G. OTHERS**

1. Notice of Acceptance No. **11-0107.11**, issued to Hamilton Safe Company for their Series **"Bullet Resistant Drive-Up" Steel Fixed Window - L.M.I.**, approved on 03/31/11 and expiring on 04/06/16.



Manuel Perez, P. E.  
Product Control Examiner  
NOA No. 12-0612.23

Expiration Date: April 06, 2016  
Approval Date: December 6, 2012



TYPICAL ELEVATIONS

THESE WINDOWS ARE RATED FOR LARGE MISSILE IMPACT. SHUTTERS ARE NOT REQUIRED.

**BULLET RESISTANT  
DRIVE-UP STEEL FIXED WINDOW**

MAXIMUM DESIGN LOAD RATING = + 75.0 PSF  
(FOR SIZES 3'H X 5'W TO 3'H X 15'W) - 80.0 PSF

THIS PRODUCT HAS BEEN DESIGNED AND TESTED TO COMPLY WITH THE REQUIREMENTS OF THE FLORIDA BUILDING CODE INCLUDING HIGH VELOCITY HURRICANE ZONE (HVHZ).

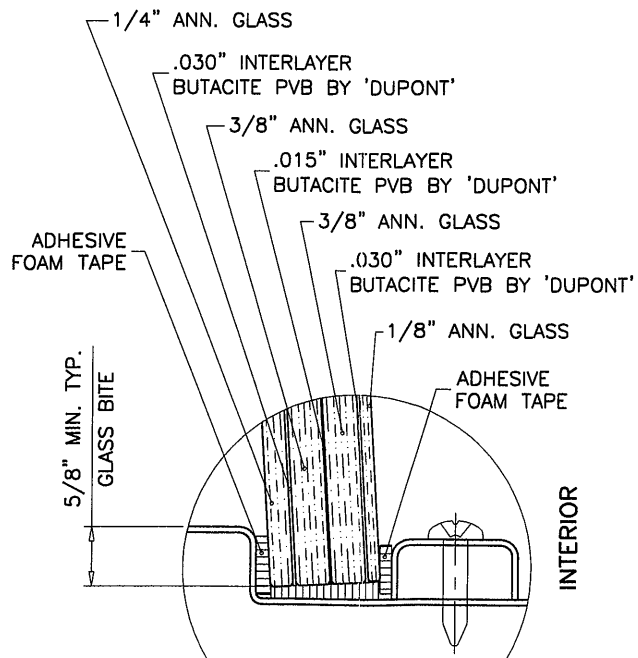
WOOD BUCKS BY OTHERS, MUST BE ANCHORED PROPERLY TO TRANSFER LOADS TO THE STRUCTURE.

ANCHORS SHALL BE AS LISTED, SPACED AS SHOWN ON DETAILS, ANCHORS EMBEDMENT TO BASE MATERIAL SHALL BE BEYOND WALL DRESSING OR STUCCO.

ANCHORING OR LOADING CONDITIONS NOT SHOWN IN THESE DETAILS ARE NOT PART OF THIS APPROVAL.

A LOAD DURATION INCREASE IS USED IN DESIGN OF ANCHORS INTO WOOD ONLY.

MATERIALS INCLUDING BUT NOT LIMITED TO STEEL/METAL SCREWS, THAT COME INTO CONTACT WITH OTHER DISSIMILAR MATERIALS SHALL MEET THE REQUIREMENTS OF THE FLORIDA BLDG. CODE SECTION 2003.8.4.



GLAZING DETAIL

PRODUCT REVISED  
as complying with the Florida  
Building Code  
Acceptance No. 12-0612.23  
Expiration Date 04/06/2016

By *Manuel Perez*  
Miami Dade Product Control

NOTE:  
GLASS CAPACITIES ARE  
BASED ON ASTM E1300-04 (3 SEC. GUSTS)

Engr: JAVAD AHMAD  
CIVIL  
FLA. PE # 70592  
C.A.N. 3538  
  
JUN 11 2012

afc

**AL-FAROOQ CORPORATION**  
ENGINEERS & PRODUCT DEVELOPMENT  
1235 S.W. 87 AVE  
MIAMI, FLORIDA 33174  
TEL. (305) 264-8100 FAX. (305) 262-6978

COMP-ANL\W05-47HS

BULLET RESISTANT DRIVE-UP STEEL FIXED WDW. (L.M.I.)

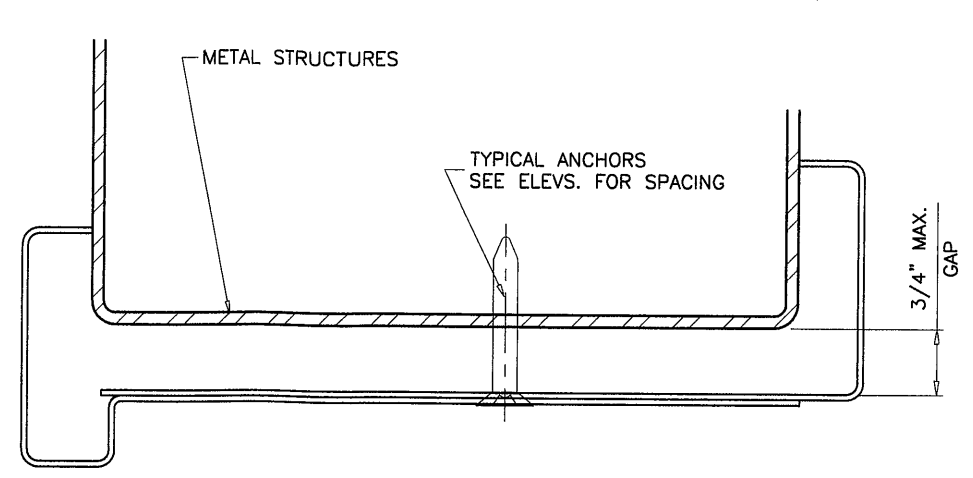
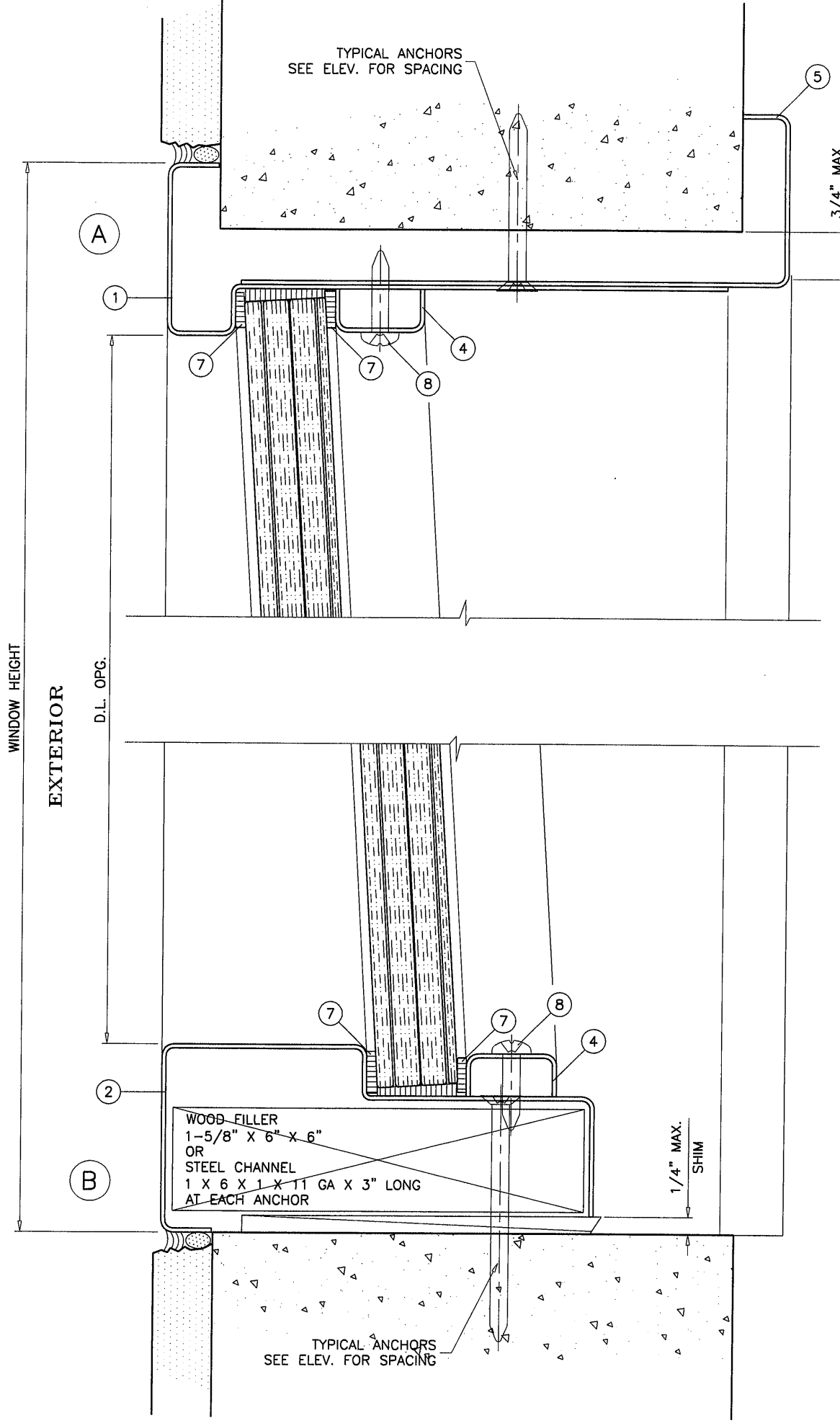
**HAMILTON SAFE**  
3143 PRODUCTION DRIVE  
FAIRFIELD, OH. 45014  
TEL. (513) 874-3733 FAX. (513) 874-3967

no	date	description
A	12.20.10	UPDATED TO 2007 FBC
B	06.08.12	UPDATED TO 2010 FBC

date: 09-16-05  
scale: 1/2"=1'-0"  
dr. by: HAMID  
chk. by:

drawing no.  
W05-47

sheet 1 of 4



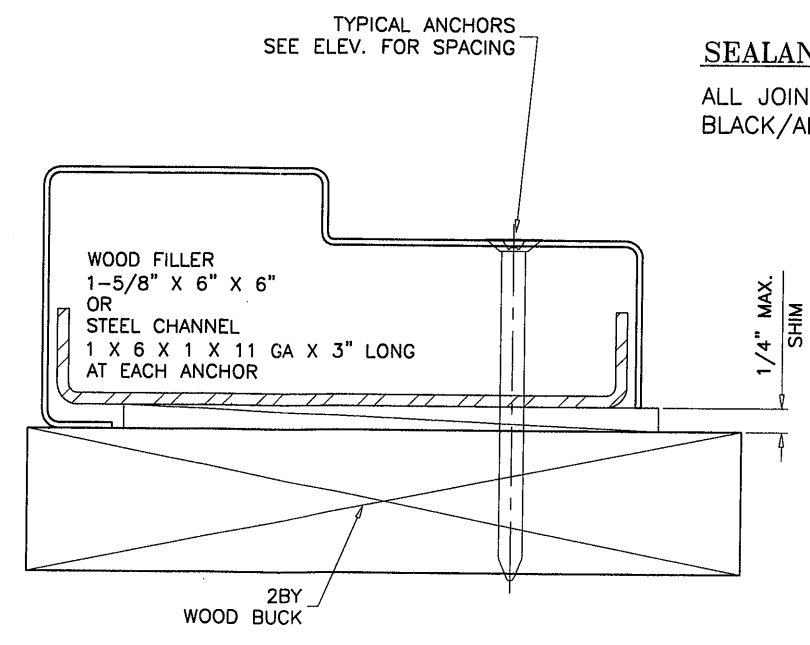
WOOD BUCKS NOT BY HAMILTON SAFE., MUST SUSTAIN LOADS IMPOSED BY GLAZING SYSTEM AND TRANSFER THEM TO THE BUILDING STRUCTURE.

**TYPICAL ANCHORS:** SEE ELEV. FOR SPACING  
**1/4" DIA. ULTRACON BY 'ELCO'** (Fu=177 KSI, Fy=155 KSI)  
 INTO 2BY WOOD BUCKS OR WOOD STRUCTURES  
 1-3/8" MIN. PENETRATION INTO WOOD  
 THRU 1BY BUCKS INTO CONC. OR MASONRY  
 1-1/4" MIN. EMBED INTO CONC. OR MASONRY  
 DIRECTLY INTO CONC. OR MASONRY  
 1-1/4" MIN. EMBED INTO CONC. OR MASONRY  
**#14 SMS OR SELF DRILLING SCREWS** (GRADE 2 CRS)  
 INTO METAL STRUCTURES  
 STEEL : 1/8" THK. MIN. (Fy = 36 KSI MIN.)  
 ALUMINUM : 1/8" THK. MIN. (6063-T5 MIN.)  
 (STEEL IN CONTACT WITH ALUMINUM TO BE PLATED OR PAINTED)

**TYPICAL EDGE DISTANCE**  
 INTO CONCRETE AND MASONRY = 2-1/2" MIN.  
 INTO WOOD STRUCTURE = 1" MIN.  
 INTO METAL STRUCTURE = 3/4" MIN.

CONCRETE AT HEAD, SILL OR JAMBS f'c = 3000 PSI MIN.  
 C-90 HOLLOW/FILLED BLOCK AT JAMBS f'm = 2000 PSI MIN.

**SEALANTS:**  
 ALL JOINTS AND FRAME CONNECTIONS SEALED WITH BLACK/ALUMINUM COLORED SILICONE.



PRODUCT REVISED  
 as complying with the Florida  
 Building Code  
 Acceptance No **12-0612.23**  
 Expiration Date **04/06/2016**  
 By *Manuel Serrano*  
 Miami Dade Product Control

Engr: JAVAD AHMAD  
 CIVIL  
 FLA. PE # 70592  
 C.A.N. 3538  
**JUN 11 2012**

**af c**  
**AL-FAROOQ CORPORATION**  
 ENGINEERS & PRODUCT DEVELOPMENT  
 1235 S.W. 87 AVE  
 MIAMI, FLORIDA 33174  
 TEL. (305) 264-8100 FAX. (305) 262-6978  
 COMP-ANL\W05-47HS

BULLET RESISTANT DRIVE-UP STEEL FIXED WDW. (L.M.I.)  
**HAMILTON SAFE**  
 3143 PRODUCTION DRIVE  
 FAIRFIELD, OH. 45014  
 TEL. (513) 874-3733 FAX. (513) 874-3967

Revisions:		no	date	by	description
A	12.20.10			ANCHORS REV.	
B	06.08.12				UPDATED TO 2010 FBC

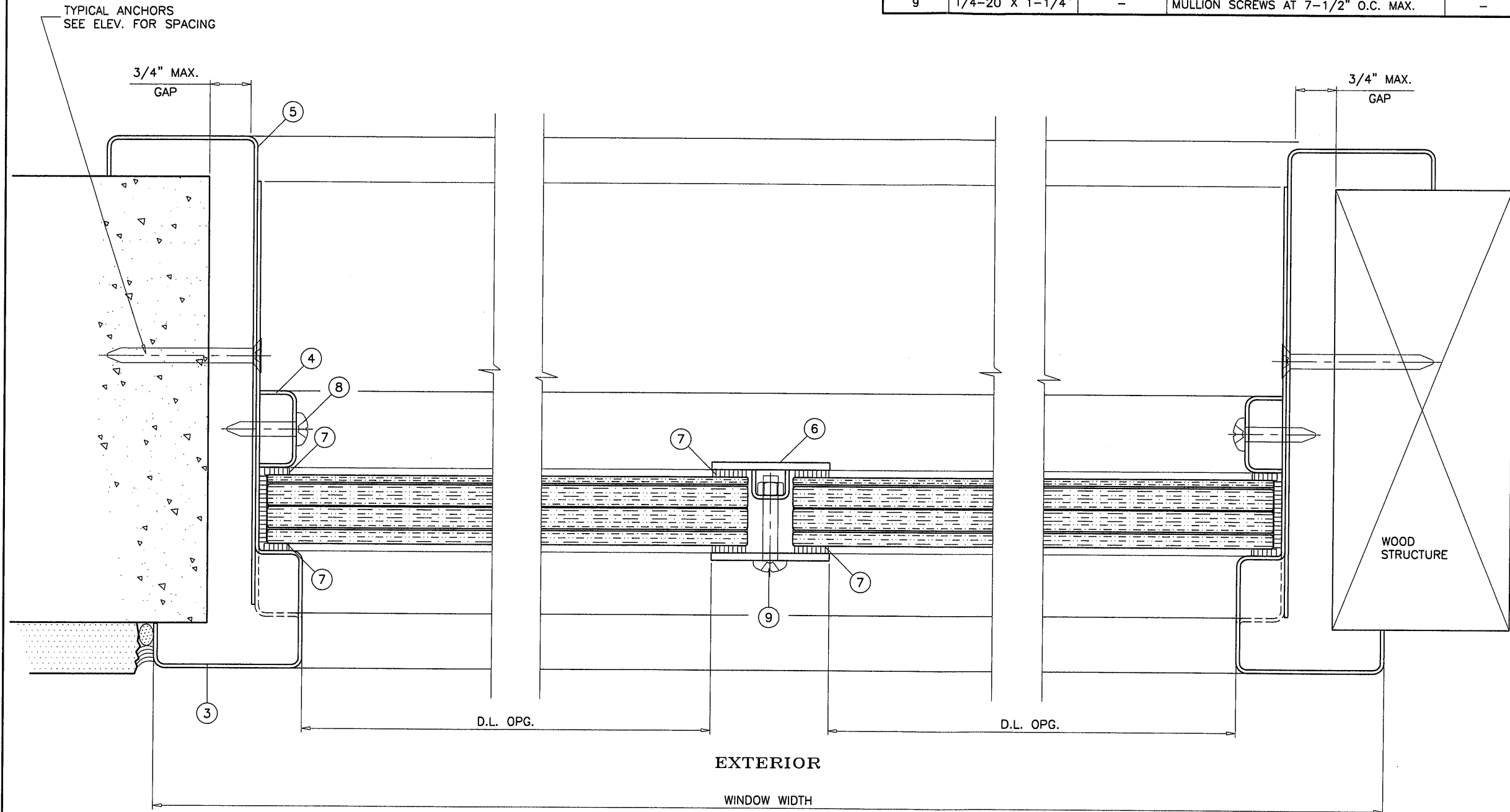
  

date:	09-16-05	scale:	1/2" = 1"
dr. by:	HAMID	chk. by:	

drawing no.	W05-47
sheet	2 of 4

ITEM #	PART #	REQD.	DESCRIPTION	MATERIAL	MANF./SUPPLIER/REMARKS
1	-	1	FRAME HEAD	ST. STEEL	16 GA.
2	-	1	FRAME SILL	ST. STEEL	16 GA.
3	-	2	FRAME JAMB	ST. STEEL	16 GA.
4	-	AS REQD.	GLAZING BEAD	ST. STEEL	16 GA.
5	-	AS REQD.	INTERIOR FRAME	ST. STEEL	16 GA.
6	-	AS REQD.	MULLION	ST. STEEL	-
7	-	AS REQD.	ADHESIVE GLAZING TAPE	FOAM	-
8	1/4-20 X 1-1/4"	-	GLAZING BEAD SCREWS AT 12" O.C. MAX.	-	RH MS
9	1/4-20 X 1-1/4"	-	MULLION SCREWS AT 7-1/2" O.C. MAX.	-	RH MS



EXTERIOR  
WINDOW WIDTH

PRODUCT REVISED  
as complying with the Florida  
Building Code  
Acceptance No **12-0612.23**  
Expiration Date **04/06/2016**  
By *Manuel Perez*  
Miami Dade Product Control

Engr: JAVAD AHMAD  
CIVIL  
FLA. PE # 70592  
C.A.N. 3538  
*J.A.*  
JUN 11 2012

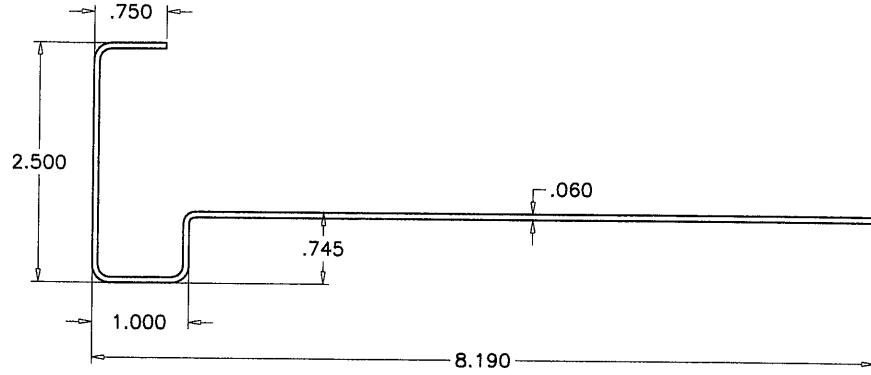
**af c**  
**AL-FAROOQ CORPORATION**  
ENGINEERS & PRODUCT DEVELOPMENT  
1235 S.W. 87 AVE  
MIAMI, FLORIDA 33174  
TEL. (305) 264-8100 FAX. (305) 262-6978  
COMP-ANL\W05-47HS

BULLET RESISTANT DRIVE-UP STEEL FIXED WDW. (L.M.I.)  
**HAMILTON SAFE**  
3143 PRODUCTION DRIVE  
FAIRFIELD, OH. 45014  
TEL. (513) 874-3733 FAX. (513) 874-3967

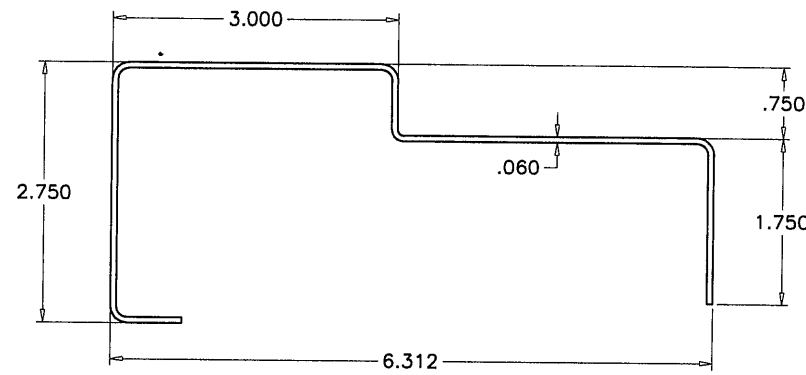
no	date	by	description
A	12.20.10		NO CHANGE THIS SHEET
B	06.08.12		STEEL GAUGE REV.

date: 09-16-05  
scale: 1/2" = 1"  
dr. by: HAMID  
chk. by:

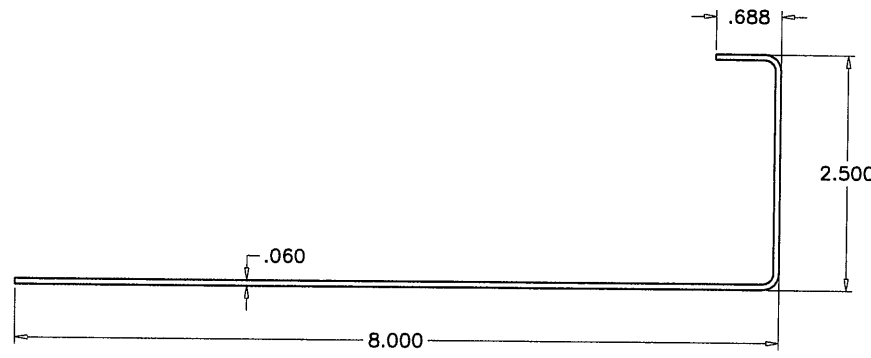
drawing no.  
**W05-47**  
sheet 3 of 4



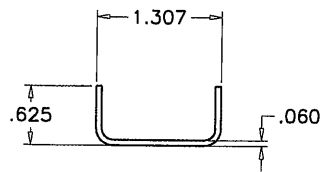
① FRAME HEAD



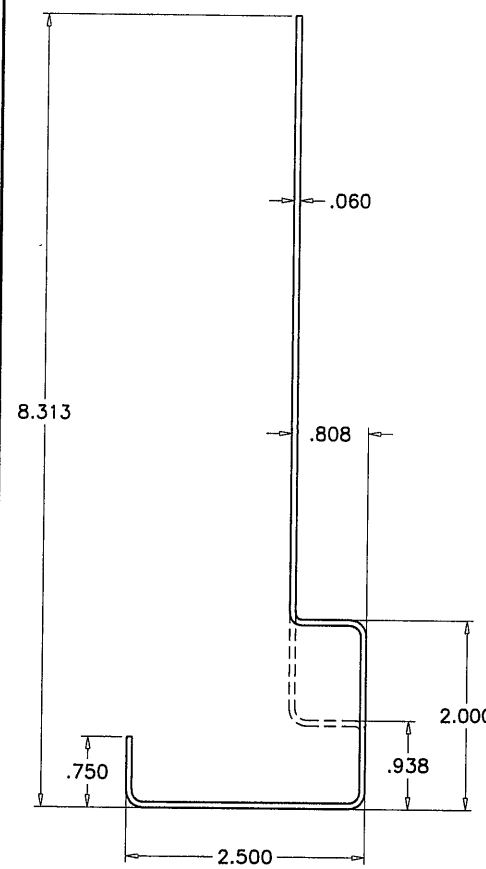
② FRAME SILL



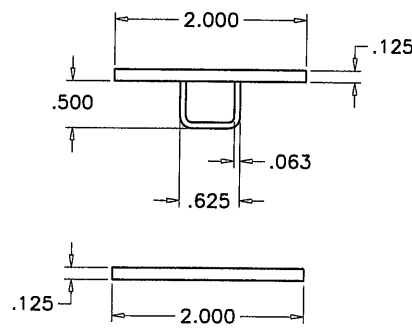
④ INTERIOR FRAME



⑤ GLAZING BEAD




③ FRAME JAMB



⑥ MULLION

PRODUCT REVISED  
 as complying with the Florida  
 Building Code  
 Acceptance No 12-0612.23  
 Expiration Date 04/06/2016  
 By Manuel  
 Miami Made Product Control

Engr: JAVAD AHMAD  
 CIVIL  
 FLA. PE # 70592  
 C.A.N. 3538  
  
 JUN 11 2012

**afc**

**AL-FAROOQ CORPORATION**  
 ENGINEERS & PRODUCT DEVELOPMENT  
 1235 S.W. 87 AVE  
 MIAMI, FLORIDA 33174  
 TEL. (305) 264-8100 FAX. (305) 262-6978  
 COMP-ANL\W05-47HS

BULLET RESISTANT DRIVE-UP STEEL FIXED WDW. (L.M.I.)

**HAMILTON SAFE**  
 3143 PRODUCTION DRIVE  
 FAIRFIELD, OH. 45014  
 TEL. (513) 874-3733 FAX. (513) 874-3967

no	date	by	description
A	12.20.10		NO CHANGE THIS SHEET
B	06.08.12		STEEL GAUGE REV.

date: 09-16-05  
 scale: 1/2" = 1"  
 dr. by: HAMID  
 chk. by:

drawing no.  
**W05-47**

sheet 4 of 4