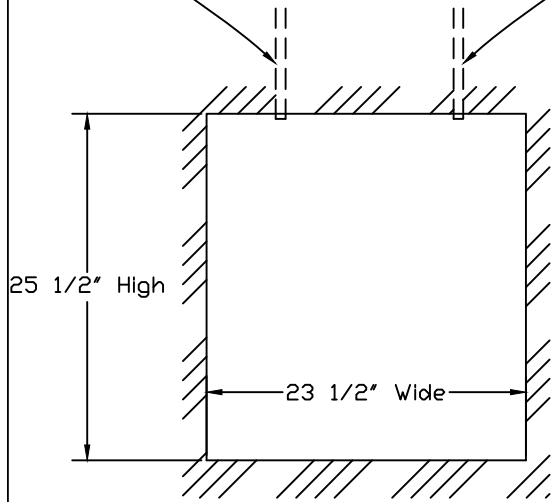
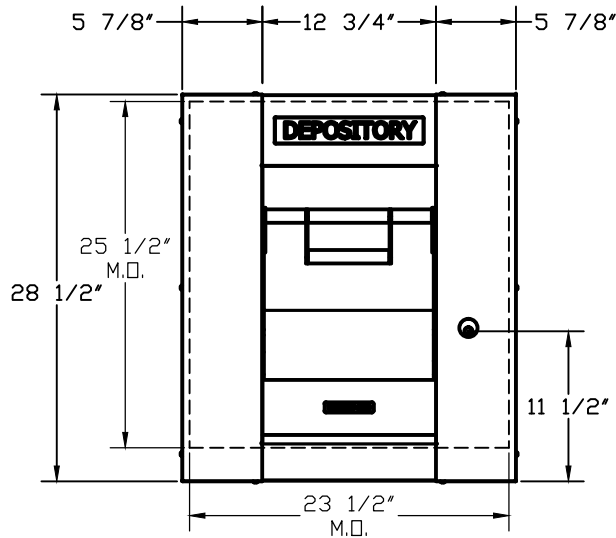
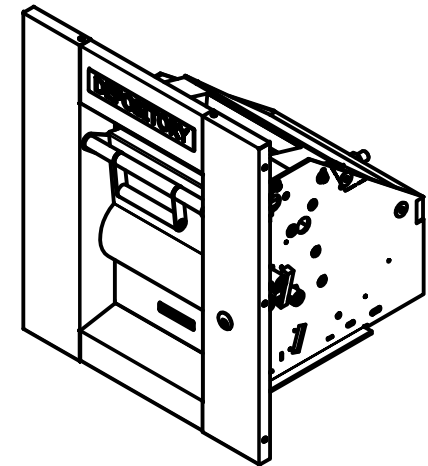
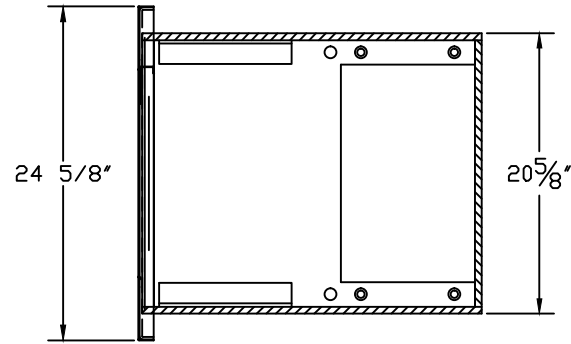


REV.-1	DATE:	
REV.-2	DATE:	
REV.-3	DATE:	

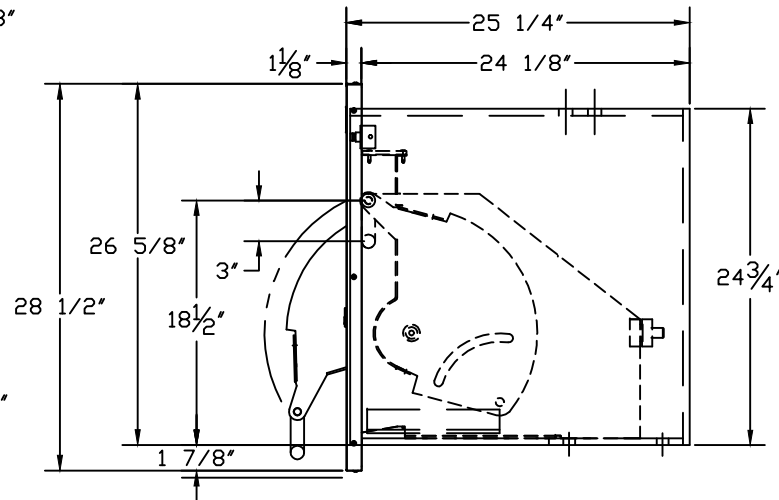
2 = 1/2" Ø CONDUITS : ONE FOR 110V. ELECTRIC & ONE FOR ALARM (BY OTHERS)



WALL OPENING



FRONT ELEVATION



HAMILTON SAFE

80UC NIGHT DEPOSITORY HEAD
 DETAILS OF STEEL SECURE HOUSING
 U.L. APPROVED DEPOSITORY

Drawing Number : 15-015 Date : 8/27/01