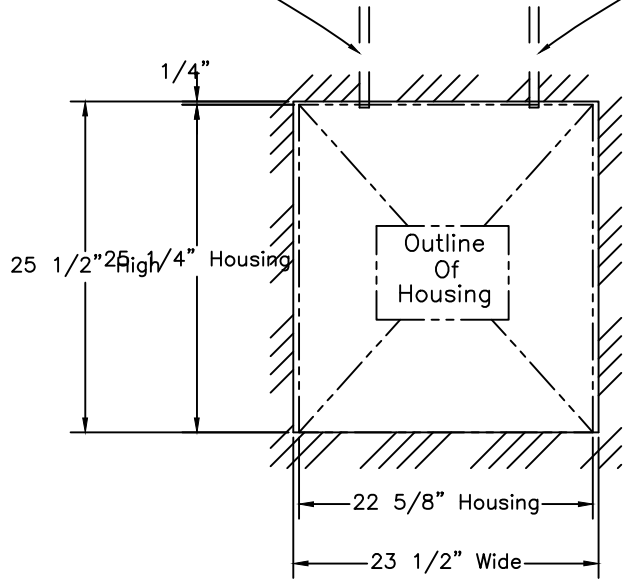
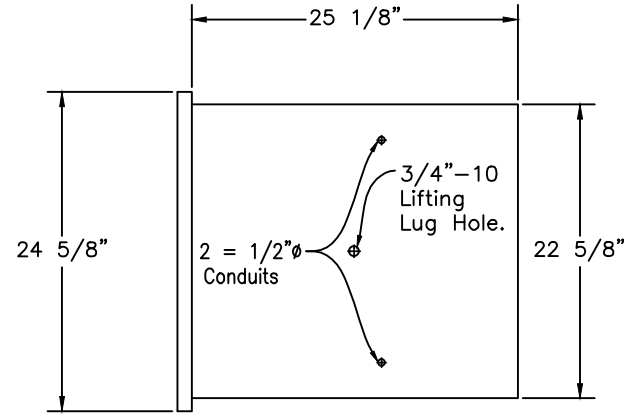


REV.-1	DATE:	
REV.-2	DATE:	
REV.-3	DATE:	

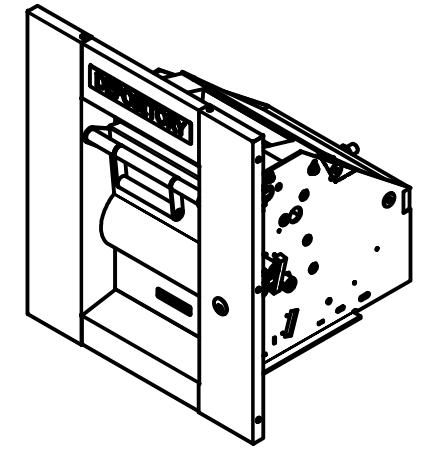
2 = 1/2" Ø CONDUITS : ONE FOR 110V. ELECTRIC & ONE FOR ALARM (BY OTHERS)



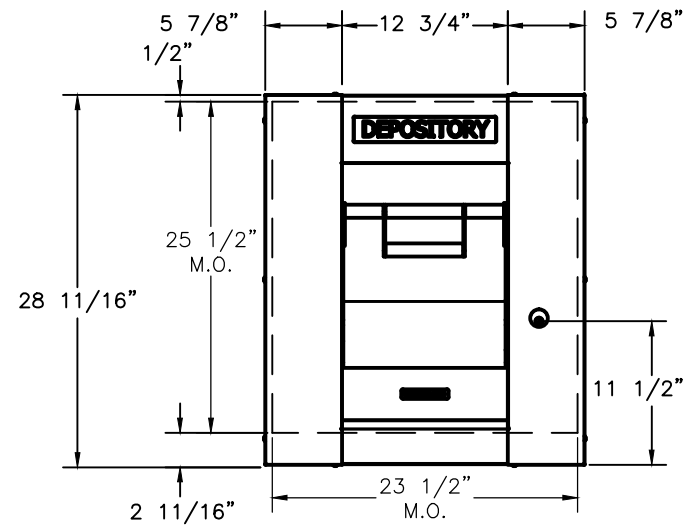
MASONRY OPENING



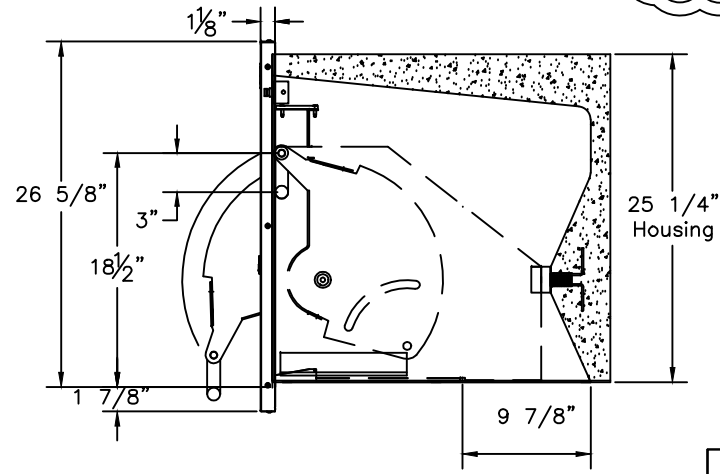
PLAN



NEW MASONRY OPENING SIZE  
25 1/2" High x 23 1/2" Wide



FRONT ELEVATION



SECTION

<b>HAMILTON SAFE</b>	
80UC NIGHT DEPOSITORY HEAD WITH NEW SECURE CONCRETE U.L. APPROVED DEPOSITORY	
Drawing Number : 15-014	Date : 1/13/12